

PNEUMATICALLY ACTUATED

SINGLE SEATED IRON (NORMALLY CLOSED) 2-1/2" - 6"



VA7010CA-D003



VA7014CC-D017

► APPLICATION:

Control of Saturated Steam; Water; Water and Glycol Solutions to 60%. Seat Leakage ANSI Class III & IV.

► VALVE CONSTRUCTION:

Body: ANSI B16.1 Iron 125lb Flange or 250lb Flange
 Trim: EQ%, Bronze or 300 Series Stainless Steel
 Stem: 316 Stainless Steel
 Bonnet: Brass
 Packing: EPDM Lip Packing (+20 to 350°F) Standard
 (EPDM is **not** suitable for use with oils, hydrocarbons, or acids.)
 PTFE V-Ring, (+60 to 350°F) Optional, must be specified on order

Agency Approval: CRN # CSA - OC20496 (Excludes 250# Type 22/32)

► TRIM LIMITS (Flowing Differential Pressure):

Brz Trim: Liquids or Steam to 40 PSID
 S/S Trim: Liquids Steam 100 PSID

► CONTROL ACTION:

Increasing Signal Opens Valve; Operating Range may differ from Signal Range,
 Use a Positioner to Match Ranges

► POSITIONER SPECIFICATIONS:

42 POSITIONER SPECIFICATIONS:

Control Signal: 3-15 PSIG (Factory Setting)
 Adjustable/Non-Reversible

Air Supply/Consumption: 20 PSIG/Approx 0.012 SCFM

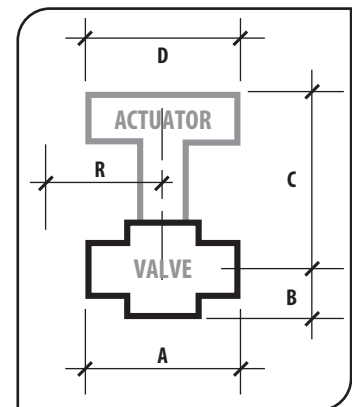
760P POSITIONER SPECIFICATIONS:

Control Signal: 3-15 PSIG (Factory Setting)
 Adjustable/Reversible

Air Supply/Consumption: 20 PSIG/Approx 0.020 SCFM

► Dimensions (IN):

Component		Dimension by Valve Size (IN)				
Variable		2-1/2	3	4	5	6
A	125 FLG	9	10	13	15-3/4	17-3/4
A	250 FLG	9-5/8	10-3/4	13-5/8	16-5/8	18-5/8
B		4-3/4	5-3/8	6-3/8	7-1/2	8-1/8
C	50 Actuator	17-7/8	18-3/4	N/A	N/A	N/A
C	84 Actuator	21-1/4	22-1/8	23-1/8	22	22-3/4
C	115 Actuator	33-1/2	34-1/8	35-1/8	34	34-3/4
D	50 Actuator	10-1/2	10-1/2	N/A	N/A	N/A
D	84 Actuator	13-7/8	13-7/8	13-7/8	13-7/8	13-7/8
D	115 Actuator	16-3/4	16-3/4	16-3/4	16-3/4	16-3/4
R*	50 w/42	7-1/2	7-1/2	N/A	N/A	N/A
R*	84 w/42	9	9	9	9	9
R*	84 w/760P	8-1/8	8-1/8	8-1/8	8-1/8	8-1/8
R*	115 w/760P	11-1/4	11-1/4	11-1/4	11-1/4	11-1/4



Allow 4-7/8 inch clearance above actuator for removal / service (50 & 84).
 Allow 6-1/8 inch clearance above actuator for removal / service (115).
 *Center line of Actuator to Outside Point of Positioner

NOTES:

- 1) Inlet Pressure cannot exceed Body Pressure-Temperature Rating.
- 2) Shut-off pressures listed are with respect to stated ANSI Leakage Classes.
- 3) Flowing PSID for water service should be no greater than 2/3 of Inlet Pressure unless verified for absence of cavitation with Warren Valve Sizing Program.

SINGLE SEATED IRON (NORMALLY CLOSED) 2-1/2" - 6"

▶ **ACTUATOR & VALVE CONFIGURATIONS:** Select Valve & Actuator Code in Tables:

Valve					50 Actuator 20 PSIG Air Supply 50				
Cv	Size (IN)	Fling	Trim	Valve Code	ALL RANGES				
					8-13 PSIG Spring Range Actuator Code	w/42 Positioner Actuator Code	SHUT OFF PSID		
						Class III	Class IV		
65	2.5	125	BRZ	VA7010CA	D001	D003	55	46	
65	2.5	125	S/S	VA7010CC	D001	D003	55	46	
65	2.5	250	BRZ	VA7010DA	D001	D003	55	46	
65	2.5	250	S/S	VA7010DC	D001	D003	55	46	
90	3	125	BRZ	VA7011CA	D001	D003	36	27	
90	3	125	S/S	VA7011CC	D001	D003	36	27	
90	3	250	BRZ	VA7011DA	D001	D003	36	27	
90	3	250	S/S	VA7011DC	D001	D003	36	27	

50 ACTUATOR SPECIFICATIONS:
 Effective Area: 50 Square Inches
 Construction: Aluminum Yoke and Diaphragm Chamber with Neoprene Diaphragm.
 Mounting: Vertical Above Valve

Shut-off values are based on 0 PSIG air pressure to the actuator when the valve is closed.

Valve					84 Actuator 20 PSIG Air Supply 84									
Cv	Size (IN)	Fling	Trim	Valve Code	9-15 PSIG SPRING RANGE			3-15 PSIG SPRING RANGE			ALL OTHER RANGES			
					Actuator Code	SHUT OFF PSID		Actuator Code	SHUT OFF PSID		w/42 Positioner Actuator Code	w/760 Positioner Actuator Code	SHUT OFF PSID	
						Class III	Class IV		Class III	Class IV			Class III	Class IV
65	2.5	125	BRZ	VA7010CA	D008	128	121	D004	25	16	D035	D036	175	165
65	2.5	125	S/S	VA7010CC	D008	128	121	D004	25	16	D035	D036	175	165
65	2.5	250	BRZ	VA7010DA	D008	128	121	D004	25	16	D035	D036	179	165
65	2.5	250	S/S	VA7010DC	D008	128	121	D004	25	16	D035	D036	179	165
90	3	125	BRZ	VA7011CA	D008	86	79	D004	15	6	D035	D036	122	115
90	3	125	S/S	VA7011CC	D008	86	79	D004	15	6	D035	D036	122	115
90	3	250	BRZ	VA7011DA	D008	86	79	D004	15	6	D035	D036	122	115
90	3	250	S/S	VA7011DC	D008	86	79	D004	15	6	D035	D036	122	115
170	4	125	BRZ	VA7013CA	D009	46	39	D005	6	0	D013	D017	46	39
170	4	125	S/S	VA7013CC	D009	46	39	D005	6	0	D013	D017	46	39
170	4	250	BRZ	VA7013DA	D009	46	39	D005	6	0	D013	D017	46	39
170	4	250	S/S	VA7013DC	D009	46	39	D005	6	0	D013	D017	46	39
280	5	125	BRZ	VA7014CA	D009	28	22	-	0	0	D013	D017	28	22
280	5	125	S/S	VA7014CC	D009	28	22	-	0	0	D013	D017	28	22
280	5	250	BRZ	VA7014DA	D009	28	22	-	0	0	D013	D017	28	22
280	5	250	S/S	VA7014DC	D009	28	22	-	0	0	D013	D017	28	22
360	6	125	BRZ	VA7015CA	D009	18	13	-	0	0	D013	D017	18	13
360	6	125	S/S	VA7015CC	D009	18	13	-	0	0	D013	D017	18	13
360	6	250	BRZ	VA7015DA	D009	18	13	-	0	0	D013	D017	18	13
360	6	250	S/S	VA7015DC	D009	18	13	-	0	0	D013	D017	18	13

Valve					115 Actuator 20 PSIG Air Supply 115						
Cv	Size (IN)	Fling	Trim	Valve Code	3-15 PSIG SPRING RANGE			ALL OTHER RANGES			
					Actuator Code	SHUT OFF PSID		9-15 PSIG Spring Range Actuator Code	w/760 Positioner Actuator Code	SHUT OFF PSID	
						Class III	Class IV			Class III	Class IV
65	2.5	125	S/S	VA7010CD	D018	44	29	D024	D030	175	175
65	2.5	250	S/S	VA7010DD	D018	44	29	D024	D030	185	176
90	3	125	S/S	VA7011CD	D018	28	15	D024	D030	126	116
90	3	250	S/S	VA7011DD	D018	28	15	D024	D030	126	116
170	4	125	S/S	VA7013CD	D019	13	4	D025	D031	68	59
170	4	250	S/S	VA7013DD	D019	13	4	D025	D031	68	59
280	5	125	S/S	VA7014CD	D019	7	0	D025	D031	42	34
280	5	250	S/S	VA7014DD	D019	7	0	D025	D031	42	34
360	6	125	S/S	VA7015CD	-	0	0	D025	D031	28	22
360	6	250	S/S	VA7015DD	-	0	0	D025	D031	28	22

Shut-off values are based on 0 PSIG air pressure to the actuator when the valve is closed.

ACTUATED ASSEMBLY BODY PRESSURE TEMPERATURE RATINGS

TEMP.	125 FLG (PSIG)	250 FLG (PSIG)
+20 to 150° F	175	400
350° F	125	280

WEIGHTS

ITEM	WEIGHT (LBS)	
VALVE SIZE	125 FLG	250 FLG
2-1/2"	55	64
3"	72	77
4"	119	131
5"	134	166
6"	175	233
ACTUATOR	LBS	
50	13	
84	48-1/2	
115	84	
POSITIONER	LBS	
42	1	
760P	8	

Actual shipping weights may vary.

84 ACTUATOR SPECIFICATIONS:

Effective Area: 84 Square Inches
 Construction: Acrylic Enamel Coated Iron Yoke and Steel Diaphragm Chamber with Buna-N Diaphragm
 Mounting: Vertical Above Valve

115 ACTUATOR SPECIFICATIONS:

Effective Area: 115 Square Inches
 Construction: Acrylic Enamel Coated Aluminum Yoke and Steel Diaphragm Chamber with Buna-N Diaphragm
 Mounting: Vertical Above Valve