

PNEUMATICALLY ACTUATED

SINGLE SEATED CYLINDER BALANCED IRON (NORMALLY OPEN) 2-1/2" - 6"



VA2310CA-D002



VA2314CC-D042

NOTES:

- 1) Inlet Pressure cannot exceed Body Pressure-Temperature Rating.
- 2) Shut-off pressures listed are with respect to stated ANSI Leakage Classes.
- 3) Flowing PSID for water service should be no greater than 2/3 of Inlet Pressure unless verified for absence of cavitation with Warren Valve Sizing Program.

► APPLICATION:

Control of Saturated Steam; Water; Water and Glycol Solutions to 60%. Seat Leakage ANSI Class III & IV.

► VALVE CONSTRUCTION:

Body: ANSI B16.1 Iron 125lb Flange or 250lb Flange
 Trim: EQ%, Bronze or 300 Series Stainless Steel
 Cylinder Seal: EPDM (BRZ Trim) O-Ring
 Aflas VP101-80 (300 SS Trim) O-Ring
 Stem: 316 Stainless Steel
 Bonnet: Brass
 Packing: EPDM Lip Packing (+20 to 350°F) Standard
 (EPDM is **not** suitable for use with oils, hydrocarbons, or acids.)
 PTFE V-Ring, (+60 to 350°F) Optional, must be specified on order
 Agency Approval: CRN # CSA - OC20496 (Excludes 250# Type 22/32)

► TRIM LIMITS (Flowing Differential Pressure):

Brz Trim: Liquids or Steam to 40 PSID
 S/S Trim: Liquids or Steam 100 PSID

► CONTROL ACTION:

Increasing Signal Closes Valve; Operating Range may differ from Signal Range,
 Use a Positioner to Match Ranges

► ACTUATOR / POSITIONER SPECIFICATIONS:

42 POSITIONER SPECIFICATIONS:

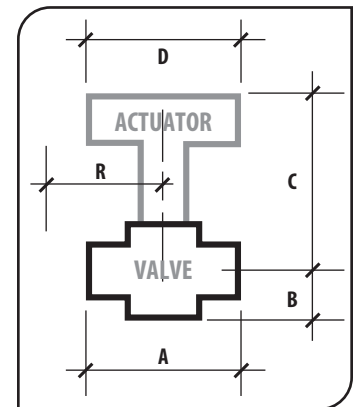
Control Signal: 3-15 PSIG (Factory Setting)
 Adjustable/Non-Reversible
 Air Supply/Consumption: 20 PSIG/Approx 0.012 SCFM

760P POSITIONER SPECIFICATIONS:

Control Signal: 3-15 PSIG (Factory Setting)
 Adjustable/Reversible
 Air Supply/Consumption: 20 PSIG/Approx 0.020 SCFM

► Dimensions (IN):

Component		Dimension by Valve Size (IN)				
Variable		2-1/2	3	4	5	6
A	125 FLG	9	10	13	15-3/4	17-3/4
A	250 FLG	9-5/8	10-3/4	13-5/8	16-5/8	18-5/8
B		4-3/4	5-3/8	6-3/8	5-3/4	6-1/2
C	50 Actuator	18-3/8	19-1/4	N/A	N/A	N/A
C	84 Actuator	21-3/4	22-5/8	23-3/4	24-1/4	24-7/8
D	50 Actuator	10-1/2	10-1/2	N/A	N/A	N/A
D	84 Actuator	13-7/8	13-7/8	13-7/8	13-7/8	13-7/8
R*	50 w/42	7-1/2	7-1/2	N/A	N/A	N/A
R*	84 w/42	9	9	9	9	9
R*	84 w/760P	8-1/8	8-1/8	8-1/8	8-1/8	8-1/8



Allow 4-7/8 inch clearance above actuator for removal / service (50 & 84). Allow 6-1/8 inch clearance above actuator for removal / service (115). *Center line of Actuator to Outside point of Positioner

SINGLE SEATED CYLINDER BALANCED IRON (NORMALLY OPEN) 2-1/2" - 6"

► **ACTUATOR & VALVE CONFIGURATIONS:** Select Valve & Actuator Code in Tables:

Valve					50 Actuator 20 PSIG Air Supply 50			
Cv	Size (IN)	Flng	Trim	Valve Code	ALL RANGES			
					3-8 PSIG Spring Range Actuator Code	w/42 Positioner Actuator Code	SHUT OFF PSID	
		Class III	Class IV					
65	2.5	125	BRZ	VA2310CA	D000	D002	175	175
65	2.5	125	S/S	VA2310CC	D000	D002	175	175
65	2.5	250	BRZ	VA2310DA	D000	D002	400	400
65	2.5	250	S/S	VA2310DC	D000	D002	400	400
90	3	125	BRZ	VA2311CA	D000	D002	175	175
90	3	125	S/S	VA2311CC	D000	D002	175	175
90	3	250	BRZ	VA2311DA	D000	D002	400	400
90	3	250	S/S	VA2311DC	D000	D002	400	400

Shut-off values are based on 20 PSIG air pressure to the actuator when the valve is closed.

50 ACTUATOR SPECIFICATIONS:

- Effective Area: 50 Square Inches
- Construction: Aluminum Yoke and Diaphragm Chamber with Neoprene Diaphragm.
- Mounting: Vertical Above Valve

Valve					84 Actuator 20 PSIG Air Supply 84							
Cv	Size (IN)	Flng	Trim	Valve Code	3-15 PSIG SPRING RANGE		ALL OTHER RANGES					
					Actuator Code	SHUT OFF PSID		3-9 PSIG Spring Range Actuator Code	w/42 Positioner Actuator Code	w/760 Positioner Actuator Code	SHUT OFF PSID	
		Class III	Class IV			Class III	Class IV					
65	2.5	125	BRZ	VA2310CA	D004	175	175	D006	D010	D014	175	175
65	2.5	125	S/S	VA2310CC	D004	175	175	D006	D010	D014	175	175
65	2.5	250	BRZ	VA2310DA	D004	400	365	D006	D010	D014	400	400
65	2.5	250	S/S	VA2310DC	D004	400	365	D006	D010	D014	400	400
90	3	125	BRZ	VA2311CA	D004	175	175	D006	D010	D014	175	175
90	3	125	S/S	VA2311CC	D004	175	175	D006	D010	D014	175	175
90	3	250	BRZ	VA2311DA	D004	393	259	D006	D010	D014	400	400
90	3	250	S/S	VA2311DC	D004	393	259	D006	D010	D014	400	400
170	4	125	BRZ	VA2313CA	D037	175	109	D038	D040	D042	175	175
170	4	125	S/S	VA2313CC	D037	175	109	D038	D040	D042	175	175
170	4	250	BRZ	VA2313DA	D037	249	109	D038	D040	D042	400	400
170	4	250	S/S	VA2313DC	D037	249	109	D038	D040	D042	400	400
280	5	125	BRZ	VA2314CA	D037	161	20	D038	D040	D042	175	175
280	5	125	S/S	VA2314CC	D037	161	20	D038	D040	D042	175	175
280	5	250	BRZ	VA2314DA	D037	161	20	D038	D040	D042	400	400
280	5	250	S/S	VA2314DC	D037	161	20	D038	D040	D042	400	400
360	6	125	BRZ	VA2315CA	D037	92	0	D038	D040	D042	175	175
360	6	125	S/S	VA2315CC	D037	92	0	D038	D040	D042	175	175
360	6	250	BRZ	VA2315DA	D037	92	0	D038	D040	D042	400	335
360	6	250	S/S	VA2315DC	D037	92	0	D038	D040	D042	400	335

Shut-off values are based on 20 PSIG air pressure to the actuator when the valve is closed.

84 ACTUATOR SPECIFICATIONS:

- Effective Area: 84 Square Inches
- Construction: Acrylic Enamel Coated Iron Yoke and Steel Diaphragm Chamber with Buna-N Diaphragm.
- Mounting: Vertical Above Valve

ACTUATED ASSEMBLY BODY PRESSURE TEMPERATURE RATINGS

TEMP.	125 FLG (PSIG)	250 FLG (PSIG)
+20 to 150° F	175	400
350° F	125	280

CYLINDER SEAL TEMPERATURE LIMITS

- +20 to 300° F (BRZ trim)
- +20 to 350° F (300 SS trim)

WEIGHTS

ITEM	WEIGHT (LBS)	
VALVE SIZE	125 FLG	250 FLG
2-1/2"	57	66
3"	75	80
4"	127	139
5"	149	181
6"	197	256
ACTUATOR	LBS	
50	13	
84	48-1/2	
POSITIONER	LBS	
42	1	
760P	8	

Actual shipping weights may vary.