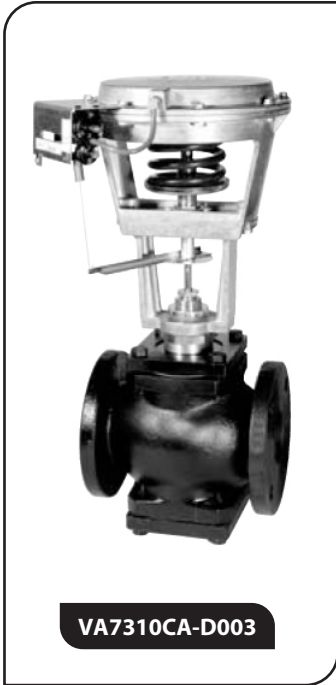


PNEUMATICALLY ACTUATED

SINGLE SEATED CYLINDER BALANCED IRON (NORMALLY CLOSED) 2-1/2" - 6"



VA7310CA-D003



VA7314CC-D043

NOTES:

- 1) Inlet Pressure cannot exceed Body Pressure-Temperature Rating.
- 2) Shut-off pressures listed are with respect to stated ANSI Leakage Classes.
- 3) Flowing PSID for water service should be no greater than 2/3 of Inlet Pressure unless verified for absence of cavitation with Warren Valve Sizing Program.

► APPLICATION:

Control of Saturated Steam; Water; Water and Glycol Solutions to 60%. Seat Leakage ANSI Class III & IV.

► VALVE CONSTRUCTION:

Body: ANSI B16.1 Iron 125lb Flange or 250lb Flange
 Trim: EQ%, Bronze or 300 Series Stainless Steel
 Cylinder Seal: EPDM (BRZ Trim) O-Ring
 Aflas VP101-80 (300 SS Trim) O-Ring
 Stem: 316 Stainless Steel
 Bonnet: Brass
 Packing: EPDM Lip Packing (+20 to 350°F) Standard
 (EPDM is **not** suitable for use with oils, hydrocarbons, or acids.)
 PTFE V-Ring, (+60 to 350°F) Optional, must be specified on order
 Agency Approval: CRN # CSA - OC20496 (Excludes 250# Type 22/32)

► TRIM LIMITS (Flowing Differential Pressure):

Brz Trim: Liquids or Steam to 40 PSID
 S/S Trim: Liquids or Steam 100 PSID

► CONTROL ACTION:

Increasing Signal Opens Valve; Operating Range may differ from Signal Range, Use a Positioner to Match Ranges

► ACTUATOR / POSITIONER SPECIFICATIONS:

42 POSITIONER SPECIFICATIONS:

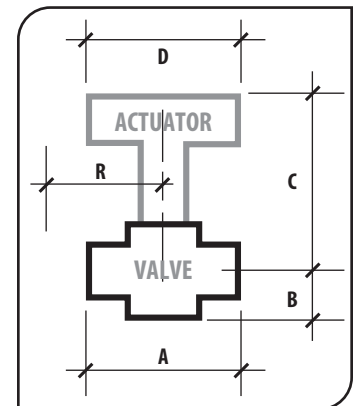
Control Signal: 3-15 PSIG (Factory Setting)
 Adjustable/Non-Reversible
 Air Supply/Consumption: 20 PSIG/Approx 0.012 SCFM

760P POSITIONER SPECIFICATIONS:

Control Signal: 3-15 PSIG (Factory Setting)
 Adjustable/Reversible
 Air Supply/Consumption: 20 PSIG/Approx 0.020 SCFM

► Dimensions (IN):

Component		Dimension by Valve Size (IN)				
Variable		2-1/2	3	4	5	6
A	125 FLG	9	10	13	15-3/4	17-3/4
A	250 FLG	9-5/8	10-3/4	13-5/8	16-5/8	18-5/8
B		4-1/2	6	6-7/8	8-1/8	8-3/4
C	50 Actuator	17-7/8	18-3/4	N/A	N/A	N/A
C	84 Actuator	21-1/4	22-1/8	23-1/8	22	22-3/4
D	50 Actuator	10-1/2	10-1/2	N/A	N/A	N/A
D	84 Actuator	13-7/8	13-7/8	13-7/8	13-7/8	13-7/8
R*	50 w/42	7-1/2	7-1/2	N/A	N/A	N/A
R*	84 w/42	9	9	9	9	9
R*	84 w/760P	8-1/8	8-1/8	8-1/8	8-1/8	8-1/8



Allow 4-7/8 inch clearance above actuator for removal / service (50 & 84).

Allow 6-1/8 inch clearance above actuator for removal / service (115).

*Center line of Actuator to Outside point of Positioner

SINGLE SEATED CYLINDER BALANCED IRON (NORMALLY CLOSED) 2-1/2" - 6"

▶ **ACTUATOR & VALVE CONFIGURATIONS:** Select Valve & Actuator Code in Tables:

Valve						50 Actuator 20 PSIG Air Supply 50			
Cv	Size (IN)	Flng	Trim	Valve Code	ALL RANGES				
					8-13 PSIG Spring Range Actuator Code	w/42 Positioner Actuator Code	SHUT OFF PSID		
							Class III	Class IV	
65	2.5	125	BRZ	VA7310CA	D001	D003	175	175	
65	2.5	125	S/S	VA7310CC	D001	D003	175	175	
65	2.5	250	BRZ	VA7310DA	D001	D003	400	400	
65	2.5	250	S/S	VA7310DC	D001	D003	400	400	
90	3	125	BRZ	VA7311CA	D001	D003	175	175	
90	3	125	S/S	VA7311CC	D001	D003	175	175	
90	3	250	BRZ	VA7311DA	D001	D003	400	336	
90	3	250	S/S	VA7311DC	D001	D003	400	336	

Shut-off values are based on 0 PSIG air pressure to the actuator when the valve is closed.

50 ACTUATOR SPECIFICATIONS:

- Effective Area: 50 Square Inches
- Construction: Aluminum Yoke and Diaphragm Chamber with Neoprene Diaphragm.
- Mounting: Vertical Above Valve

Valve						84 Actuator 20 PSIG Air Supply 84						
Cv	Size (IN)	Flng	Trim	Valve Code	3-15 PSIG SPRING RANGE			ALL OTHER RANGES				
					Actuator Code	SHUT OFF PSID		9-15PSIG Spring Range Actuator Code	w/42 Positioner Actuator Code	w/760 Positioner Actuator Code	SHUT OFF PSID	
						Class III	Class IV				Class III	Class IV
65	2.5	125	BRZ	VA7310CA	D004	175	133	D008	D012	D016	175	175
65	2.5	125	S/S	VA7310CC	D004	175	133	D008	D012	D016	175	175
65	2.5	250	BRZ	VA7310DA	D004	342	133	D008	D012	D016	400	400
65	2.5	250	S/S	VA7310DC	D004	342	133	D008	D012	D016	400	400
90	3	125	BRZ	VA7311CA	D004	175	28	D008	D012	D016	175	175
90	3	125	S/S	VA7311CC	D004	175	28	D008	D012	D016	175	175
90	3	250	BRZ	VA7311DA	D004	224	28	D008	D012	D016	400	400
90	3	250	S/S	VA7311DC	D004	224	28	D008	D012	D016	400	400
170	4	125	BRZ	VA7313CA	D037	83	0	D039	D041	D043	175	175
170	4	125	S/S	VA7313CC	D037	83	0	D039	D041	D043	175	175
170	4	250	BRZ	VA7313DA	D037	83	0	D039	D041	D043	400	400
170	4	250	S/S	VA7313DC	D037	83	0	D039	D041	D043	400	400
280	5	125	BRZ	VA7314CA	D037	12	0	D039	D041	D043	175	175
280	5	125	S/S	VA7314CC	D037	12	0	D039	D041	D043	175	175
280	5	250	BRZ	VA7314DA	D037	12	0	D039	D041	D043	400	400
280	5	250	S/S	VA7314DC	D037	12	0	D039	D041	D043	400	400
360	6	125	BRZ	VA7315CA	-	0	0	D039	D041	D043	175	175
360	6	125	S/S	VA7315CC	-	0	0	D039	D041	D043	175	175
360	6	250	BRZ	VA7315DA	-	0	0	D039	D041	D043	400	248
360	6	250	S/S	VA7315DC	-	0	0	D039	D041	D043	400	248

Shut-off values are based on 0 PSIG air pressure to the actuator when the valve is closed.

84 ACTUATOR SPECIFICATIONS:

- Effective Area: 84 Square Inches
- Construction: Acrylic Enamel Coated Iron Yoke and Steel Diaphragm Chamber with Buna-N Diaphragm.
- Mounting: Vertical Above Valve

ACTUATED ASSEMBLY BODY PRESSURE TEMPERATURE RATINGS

TEMP.	125 FLG (PSIG)	250 FLG (PSIG)
+20 to 150° F	175	400
350° F	125	280

CYLINDER SEAL TEMPERATURE LIMITS

- +20 to 300° F (BRZ trim)
- +20 to 350° F (300 SS trim)

WEIGHTS

ITEM	WEIGHT (LBS)	
VALVE SIZE	125 FLG	250 FLG
2-1/2"	57	66
3"	75	80
4"	127	139
5"	149	181
6"	197	256
ACTUATOR	LBS	
50	13	
84	48-1/2	
POSITIONER	LBS	
42	1	
760P	8	

Actual shipping weights may vary.