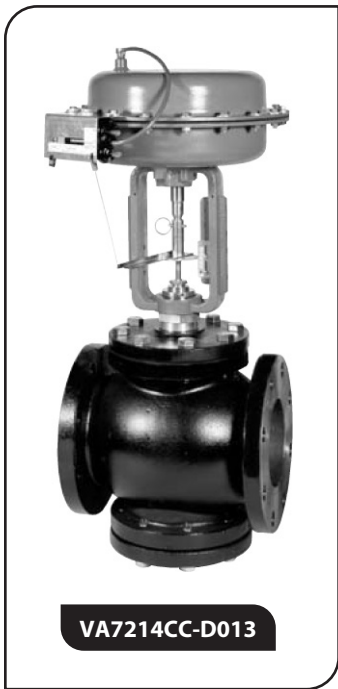
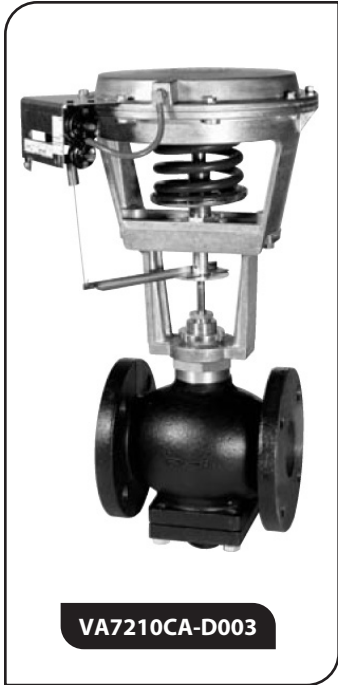


# PNEUMATICALLY ACTUATED

## DOUBLE SEATED BALANCED IRON (NORMALLY CLOSED) 2-1/2" - 10"



### ► APPLICATION:

Control of Saturated Steam; Water; Water and Glycol Solutions to 60%. Seat Leakage ANSI Class III.

### ► VALVE CONSTRUCTION:

Body: ANSI B16.1 Iron 125lb Flange or 250lb Flange  
 Trim: EQ%, Bronze or 300 Series Stainless Steel  
 Stem: 316 Stainless Steel  
 Bonnet: Brass  
 Packing: EPDM Lip Packing (+20 to 350°F) Standard  
 (EPDM is **not** suitable for use with oils, hydrocarbons, or acids.)  
 PTFE V-Ring, (+60 to 350°F) Optional, must be specified on order  
 Agency Approval: CRN # CSA - OC20496 (Excludes 250# Type 22/32)

### ► TRIM LIMITS (Flowing Differential Pressure):

Brz Trim: Liquids or Steam to 40 PSID  
 S/S Trim: Liquids or Steam 100 PSID

### ► CONTROL ACTION:

Increasing Signal Opens Valve; Operating Range may differ from Signal Range,  
 Use a Positioner to Match Ranges

### ► POSITIONER SPECIFICATIONS:

#### 42 POSITIONER SPECIFICATIONS:

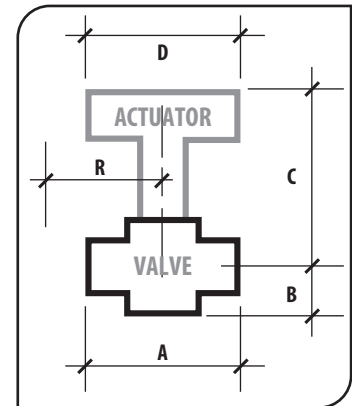
Control Signal: 3-15 PSIG (Factory Setting)  
 Adjustable/Non-Reversible  
 Air Supply/Consumption: 20 PSIG/Approx 0.012 SCFM

#### 760P POSITIONER SPECIFICATIONS:

Control Signal: 3-15 PSIG (Factory Setting)  
 Adjustable/Reversible  
 Air Supply/Consumption: 20 PSIG/Approx 0.020 SCFM

### ► Dimensions (IN):

Component		Dimension by Valve Size (IN)						
Variable		2-1/2	3	4	5	6	8	10
A	125 FLG	7-3/4	9	11-3/8	12	14-1/8	16-1/4	20
A	250 FLG	8-3/8	9-3/4	12	12-7/8	14-1/2	16-1/4	21-3/8
B		4-7/8	5-1/8	6-3/8	6-7/8	7-5/8	8-7/8	10-7/8
C	50 Actuator	16-3/4	17	17-7/8	N/A	N/A	N/A	N/A
C	84 Actuator	20-1/8	20-3/8	21-1/4	23-5/8	24-1/2	25-5/8	27-1/4
D	50 Actuator	10-1/2	10-1/2	10-1/2	N/A	N/A	N/A	N/A
D	84 Actuator	13-7/8	13-7/8	13-7/8	13-7/8	13-7/8	13-7/8	13-7/8
R*	50 w/42	7-1/2	7-1/2	7-1/2	N/A	N/A	N/A	N/A
R*	84 w/42	9	9	9	9	9	9	9
R*	84 w/760P	8-1/8	8-1/8	8-1/8	8-1/8	8-1/8	8-1/8	8-1/8



Allow 4-7/8 inch clearance above actuator for removal / service (50 & 84).

\*Center line of Actuator to Outside Point of Positioner

#### NOTES:

- 1) Inlet Pressure cannot exceed Body Pressure-Temperature Rating.
- 2) Shut-off pressures listed are with respect to stated ANSI Leakage Classes.
- 3) Flowing PSID for water service should be no greater than 2/3 of Inlet Pressure unless verified for absence of cavitation with Warren Valve Sizing Program.

**DOUBLE SEATED BALANCED IRON (NORMALLY CLOSED) 2-1/2" - 10"**

▶ **ACTUATOR & VALVE CONFIGURATIONS:** Select Valve & Actuator Code in Tables:

Valve					50 Actuator 20 PSIG Air Supply <b>50</b>		
Cv	Size (IN)	Flng	Trim	Valve Code	ALL RANGES		
					8-13 PSIG Spring Range Actuator Code	w/42 Positioner Actuator Code	SHUT OFF PSID Class III
70	2.5	125	BRZ	VA7210CA	D001	D003	100
70	2.5	125	S/S	VA7210CC	D001	D003	100
70	2.5	250	BRZ	VA7210DA	D001	D003	100
70	2.5	250	S/S	VA7210DC	D001	D003	100
100	3	125	BRZ	VA7211CA	D001	D003	100
100	3	125	S/S	VA7211CC	D001	D003	100
100	3	250	BRZ	VA7211DA	D001	D003	100
100	3	250	S/S	VA7211DC	D001	D003	100
200	4	125	BRZ	VA7213CA	D001	D003	100
200	4	125	S/S	VA7213CC	D001	D003	100
200	4	250	BRZ	VA7213DA	D001	D003	100
200	4	250	S/S	VA7213DC	D001	D003	100

Shut-off values are based on 0 PSIG air pressure to the actuator when the valve is closed.

Valve					84 Actuator 20 PSIG Air Supply <b>84</b>					
Cv	Size (IN)	Flng	Trim	Valve Code	3-15 PSIG SPRING RANGE		ALL OTHER RANGES			
					Actuator Code	SHUT OFF PSID Class III	9-15 PSIG Spring Range Actuator Code	w/42 Positioner Actuator Code	w/760 Positioner Actuator Code	SHUT OFF PSID Class III
70	2.5	125	BRZ	VA7210CA	D004	175	D008	D012	D016	175
70	2.5	125	S/S	VA7210CC	D004	175	D008	D012	D016	175
70	2.5	250	BRZ	VA7210DA	D004	233	D008	D012	D016	400
70	2.5	250	S/S	VA7210DC	D004	233	D008	D012	D016	400
100	3	125	BRZ	VA7211CA	D004	141	D008	D012	D016	175
100	3	125	S/S	VA7211CC	D004	141	D008	D012	D016	175
100	3	250	BRZ	VA7211DA	D004	141	D008	D012	D016	400
100	3	250	S/S	VA7211DC	D004	141	D008	D012	D016	400
200	4	125	BRZ	VA7213CA	D004	22	D008	D012	D016	175
200	4	125	S/S	VA7213CC	D004	22	D008	D012	D016	175
200	4	250	BRZ	VA7213DA	D004	22	D008	D012	D016	400
200	4	250	S/S	VA7213DC	D004	22	D008	D012	D016	400
260	5	125	BRZ	VA7214CA	-	0	D009	D013	D017	175
260	5	125	S/S	VA7214CC	-	0	D009	D013	D017	175
260	5	250	BRZ	VA7214DA	-	0	D009	D013	D017	400
260	5	250	S/S	VA7214DC	-	0	D009	D013	D017	400
350	6	125	BRZ	VA7215CA	-	0	D009	D013	D017	175
350	6	125	S/S	VA7215CC	-	0	D009	D013	D017	175
350	6	250	BRZ	VA7215DA	-	0	D009	D013	D017	400
350	6	250	S/S	VA7215DC	-	0	D009	D013	D017	400
680	8	125	BRZ	VA7217CA	-	0	D009	D013	D017	175
680	8	125	S/S	VA7217CC	-	0	D009	D013	D017	175
680	8	250	BRZ	VA7217DA	-	0	D009	D013	D017	295
680	8	250	S/S	VA7217DC	-	0	D009	D013	D017	295
960	10	125	BRZ	VA7219CE	-	0	D009	D013	D017	175
960	10	125	S/S	VA7219CG	-	0	D009	D013	D017	175
960	10	250	BRZ	VA7219DE	-	0	D009	D013	D017	185
960	10	250	S/S	VA7219DG	-	0	D009	D013	D017	185

Shut-off values are based on 0 PSIG air pressure to the actuator when the valve is closed.

**ACTUATED ASSEMBLY BODY PRESSURE TEMPERATURE RATINGS**

TEMP.	125 FLG (PSIG)	250 FLG (PSIG)
+20 to 150° F	175	400
350° F	125	280

**50 ACTUATOR SPECIFICATIONS:**

Effective Area: 50 Square Inches  
 Construction: Aluminum Yoke and Diaphragm Chamber with Neoprene Diaphragm.  
 Mounting: Vertical Above Valve

**WEIGHTS**

ITEM	WEIGHT (LBS)	
VALVE SIZE	125 FLG	250 FLG
2-1/2"	32	42
3"	42	54
4"	77	96
5"	124	162
6"	169	220
8"	290	380
10"	CF	CF
ACTUATOR	LBS	
50	13	
84	48-1/2	
POSITIONER	LBS	
42	1	
760P	8	

Actual shipping weights may vary.

CF = Consut Factory

**84 ACTUATOR SPECIFICATIONS:**

Effective Area: 84 Square Inches  
 Construction: Acrylic Enamel Coated Iron Yoke and Steel Diaphragm Chamber with Buna-N Diaphragm  
 Mounting: Vertical Above Valve