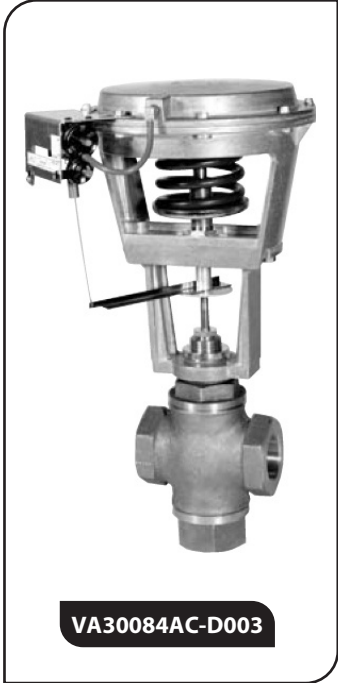
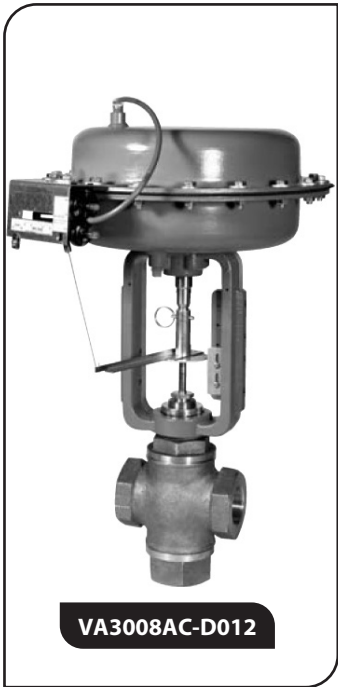


PNEUMATICALLY ACTUATED

3-WAY MIXING BRONZE 1/2" - 2"



VA30084AC-D003



VA3008AC-D012

NOTES:

- 1) Inlet Pressure cannot exceed Body Pressure-Temperature Rating.
- 2) Shut-off pressures listed are with respect to stated ANSI Leakage Classes.
- 3) Flowing PSID for water service should be no greater than 2/3 of Inlet Pressure unless verified for absence of cavitation with Warren Valve Sizing Program.

► APPLICATION:

Control of Water; Water and Glycol Solutions to 60%. Valves mix 2 flows together (Converging). Seat Leakage ANSI Class IV.

► VALVE CONSTRUCTION:

Body: ANSI B16.15 Bronze 250lb. Threaded (NPT)
 Trim: Linear, 316 Series Stainless Steel
 Stem: 316 Stainless Steel
 Bonnet: Brass / Bronze
 Packing: EPDM Lip Packing (+20 to 350°F) Standard
 (EPDM is **not** suitable for use with oils, hydrocarbons, or acids.)
 PTFE V-Ring, (+60 to 350°F) Optional, must be specified on order
 Agency Approvals: CRN # CSA - OC18997 (Bronze Body Only)

► TRIM LIMITS (Flowing Differential Pressure):

S/S Trim: Liquids to 100 PSID

► CONTROL ACTION:

Increasing Signal Closes Lower Port/Opens Upper Port; Operating Range may differ from Signal Range, Use a Positioner to Match Ranges

► POSITIONER SPECIFICATIONS:

42 POSITIONER SPECIFICATIONS:

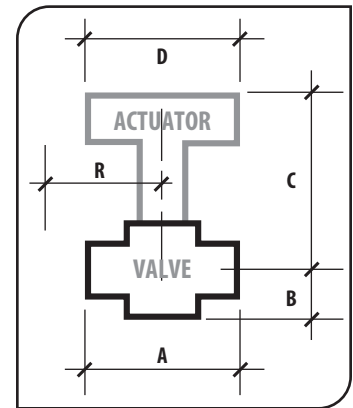
Control Signal: 3-15 PSIG (Factory Setting)
 Adjustable/Non-Reversible
 Air Supply/Consumption: 20 PSIG/Approx 0.012 SCFM

760P POSITIONER SPECIFICATIONS:

Control Signal: 3-15 PSIG (Factory Setting)
 Adjustable/Reversible
 Air Supply/Consumption: 20 PSIG/Approx 0.020 SCFM

► Dimensions (IN):

Component		Dimension by Valve Size (IN)		
Variable		1/2 & 3/4, 1	1-1/4 & 1-1/2	2
A	250THD	4-7/8	5-3/4	6-1/2
B	250THD	2-23/32	3-13/16	4
C	50 Actuator	15-1/2	16-1/8	16-3/8
C	84 Actuator	18-7/8	19-1/2	19-3/4
D	50 Actuator	10-1/2	10-1/2	10-1/2
D	84 Actuator	13-7/8	13-7/8	13-7/8
R*	50 w/42	7-1/2	7-1/2	7-1/2
R*	84 w/42	9	9	9
R*	84 w/760P	8-1/8	8-1/8	8-1/8



Allow 4-1/8 inch clearance above actuator for removal / service.

*Center line of Actuator to Outside point of Positioner

► **ACTUATOR & VALVE CONFIGURATIONS:** Select Valve & Actuator Code in Tables:

Valve						50 Actuator 20 PSIG Air Supply 50		
Cv	Size (IN)	Thrd NPT	Trim	Valve Code	ALL RANGES			
					8-13 PSIG Spring Range Actuator Code	w/42 Positioner Actuator Code	SHUT OFF PSID Class IV	
6.3	0.5	250	S/S	VA3004AC	D001	D003	100	
8.2	0.75	250	S/S	VA3005AC	D001	D003	100	
10	1	250	S/S	VA3006AC	D001	D003	100	
18.5	1.25	250	S/S	VA3007AC	D001	D003	88	
20	1.5	250	S/S	VA3008AC	D001	D003	88	
40	2	250	S/S	VA3009AC	D001	D003	47	

Shut-off values are based on 0 PSIG air pressure to the actuator when the upper port is closed and 20 PSIG air pressure to the actuator when the lower port is closed.

50 ACTUATOR SPECIFICATIONS:

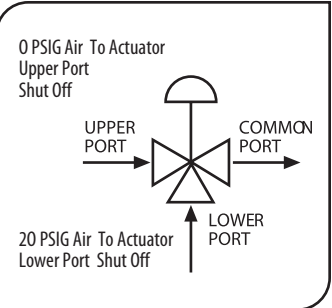
- Effective Area: 50 Square Inches
- Construction: Aluminum Yoke and Diaphragm Chamber with Neoprene Diaphragm.
- Mounting: Vertical Above Valve

Valve						84 Actuator 20 PSIG Air Supply 84				
Cv	Size (IN)	Thrd NPT	Trim	Valve Code	3-15 PSIG SPRING RANGE		ALL OTHER RANGES			
					Actuator Code	SHUT OFF PSID Class IV	9-15 PSIG Spring Range Actuator Code	w/42 Positioner Actuator Code	w/760 Positioner Actuator Code	SHUT OFF PSID Class IV
6.3	0.5	250	S/S	VA3004AC	D004	132	D008	D012	D016	301
8.2	0.75	250	S/S	VA3005AC	D004	132	D008	D012	D016	301
10	1	250	S/S	VA3006AC	D004	132	D008	D012	D016	301
18.5	1.25	250	S/S	VA3007AC	D004	44	D008	D012	D016	120
20	1.5	250	S/S	VA3008AC	D004	44	D008	D012	D016	120
40	2	250	S/S	VA3009AC	D004	19	D008	D012	D016	67

Shut-off values are based on 0 PSIG air pressure to the actuator when the upper port is closed and 20 PSIG air pressure to the actuator when the lower port is closed.

84 ACTUATOR SPECIFICATIONS:

- Effective Area: 84 Square Inches
- Construction: Acrylic Enamel Coated Iron Yoke and Steel Diaphragm Chamber with Buna-N Diaphragm.
- Mounting: Vertical Above Valve



ACTUATED ASSEMBLY BODY PRESSURE TEMPERATURE RATINGS

TEMP.	250 THD (RATINGS ARE PSIG)
+20 to 150° F	400
350° F	300

WEIGHTS

ITEM	WEIGHT
VALVE SIZE	LBS
1/2", 3/4", 1"	9
1-1/4" & 1-1/2"	15-1/2
2"	20
ACTUATOR	LBS
50	13
84	48-1/2
POSITIONER	LBS
42	1
760P	8

Actual shipping weights may vary.