

# PNEUMATICALLY ACTUATED

## SINGLE SEATED IRON (NORMALLY OPEN) 2-1/2" - 6"



**VA2010CA-D002**



**VA2014CC-D015**

### ► APPLICATION:

Control of Saturated Steam; Water; Water and Glycol Solutions to 60%. Seat Leakage ANSI Class III & IV.

### ► VALVE CONSTRUCTION:

- Body: ANSI B16.1 Iron 125lb Flange or 250lb Flange
- Trim: EQ%, Bronze or 300 Series Stainless Steel
- Stem: 316 Stainless Steel
- Bonnet: Brass
- Packing: EPDM Lip Packing (+20 to 350°F) Standard  
(EPDM is **not** suitable for use with oils, hydrocarbons, or acids.)  
PTFE V-Ring, (+60 to 350°F) Optional, must be specified on order
- Agency Approval: CRN # CSA - OC20496 (Excludes 250# Type 22/32)

### ► TRIM LIMITS (Flowing Differential Pressure):

- Brz Trim: Liquids or Steam to 40 PSID
- S/S Trim: Liquids or Steam 100 PSID

### ► CONTROL ACTION:

Increasing Signal Closes Valve; Operating Range may differ from Signal Range, Use a Positioner to Match Ranges

### ► POSITIONER SPECIFICATIONS:

#### 42 POSITIONER SPECIFICATIONS:

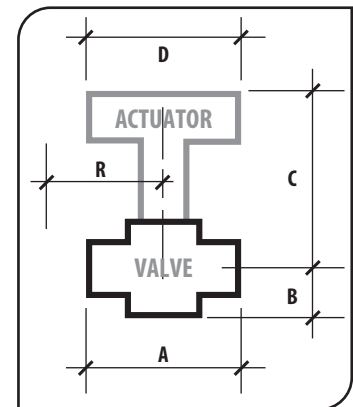
- Control Signal: 3-15 PSIG (Factory Setting)  
Adjustable/Non-Reversible
- Air Supply/Consumption: 20 PSIG/Approx 0.012 SCFM

#### 760P POSITIONER SPECIFICATIONS:

- Control Signal: 3-15 PSIG (Factory Setting)  
Adjustable/Reversible
- Air Supply/Consumption: 20 PSIG/Approx 0.020 SCFM

### ► Dimensions (IN):

Component		Dimension by Valve Size (IN)				
Variable		2-1/2	3	4	5	6
A	125 FLG	9	10	13	15-3/4	17-3/4
A	250 FLG	9-5/8	10-3/4	13-5/8	16-5/8	18-5/8
B		4-3/4	5-3/8	6-3/8	5-3/4	6-1/2
C	50 Actuator	17-7/8	18-3/4	N/A	N/A	N/A
C	84 Actuator	21-1/4	22-1/8	23-1/8	23-3/4	24-3/8
C	115 Actuator	33-1/2	34-1/8	35-1/8	35-3/4	36-3/8
D	50 Actuator	10-1/2	10-1/2	N/A	N/A	N/A
D	84 Actuator	13-7/8	13-7/8	13-7/8	13-7/8	13-7/8
D	115 Actuator	16-3/4	16-3/4	16-3/4	16-3/4	16-3/4
R*	50 w/42	7-1/2	7-1/2	N/A	N/A	N/A
R*	84 w/42	9	9	9	9	9
R*	84 w/760P	8-1/8	8-1/8	8-1/8	8-1/8	8-1/8
R*	115 w/760P	11-1/4	11-1/4	11-1/4	11-1/4	11-1/4



Allow 4-7/8 inch clearance above actuator for removal / service (50 & 84).  
Allow 6-1/8 inch clearance above actuator for removal / service (115).  
\*Center line of Actuator to Outside Point of Positioner

### NOTES:

- 1) Inlet Pressure cannot exceed Body Pressure-Temperature Rating.
- 2) Shut-off pressures listed are with respect to stated ANSI Leakage Classes.
- 3) Flowing PSID for water service should be no greater than 2/3 of Inlet Pressure unless verified for absence of cavitation with Warren Valve Sizing Program.

**SINGLE SEATED IRON (NORMALLY OPEN) 2-1/2" - 6"**

▶ **ACTUATOR & VALVE CONFIGURATIONS:** Select Valve & Actuator Code in Tables:

Valve					50 Actuator 20 PSIG Air Supply <b>50</b>			
Cv	Size (IN)	Fling	Trim	Valve Code	ALL RANGES			
					3-8 PSIG Spring Range Actuator Code	w/42 Positioner Actuator Code	SHUT OFF PSID	
						Class III	Class IV	
65	2.5	125	BRZ	VA2010CA	D000	D002	96	86
65	2.5	125	S/S	VA2010CC	D000	D002	96	86
65	2.5	250	BRZ	VA2010DA	D000	D002	96	86
65	2.5	250	S/S	VA2010DC	D000	D002	96	86
90	3	125	BRZ	VA2011CA	D000	D002	64	55
90	3	125	S/S	VA2011CC	D000	D002	64	55
90	3	250	BRZ	VA2011DA	D000	D002	64	55
90	3	250	S/S	VA2011DC	D000	D002	64	55

**50 ACTUATOR SPECIFICATIONS:**  
 Effective Area: 50 Square Inches  
 Construction: Aluminum Yoke and Diaphragm Chamber with Neoprene Diaphragm.  
 Mounting: Vertical Above Valve

**ACTUATED ASSEMBLY BODY PRESSURE TEMPERATURE RATINGS**

TEMP.	125 FLG (PSIG)	250 FLG (PSIG)
+20 to 150° F	175	400
350° F	125	280

**Shut-off values are based on 20 PSIG air pressure to the actuator when the valve is closed.**

Valve					84 Actuator 20 PSIG Air Supply <b>84</b>							
Cv	Size (IN)	Fling	Trim	Valve Code	3-15 PSIG SPRING RANGE			ALL OTHER RANGES				
					Actuator Code	SHUT OFF PSID		3-9 PSIG Spring Range Actuator Code	w/42 Positioner Actuator Code	w/760 Positioner Actuator Code	SHUT OFF PSID	
						Class III	Class IV				Class III	Class IV
65	2.5	125	BRZ	VA2010CA	D004	59	49	D006	D010	D014	162	150
65	2.5	125	S/S	VA2010CC	D004	59	49	D006	D010	D014	162	150
65	2.5	250	BRZ	VA2010DA	D004	59	49	D006	D010	D014	162	150
65	2.5	250	S/S	VA2010DC	D004	59	49	D006	D010	D014	162	150
90	3	125	BRZ	VA2011CA	D004	39	30	D006	D010	D014	110	100
90	3	125	S/S	VA2011CC	D004	39	30	D006	D010	D014	110	100
90	3	250	BRZ	VA2011DA	D004	39	30	D006	D010	D014	110	100
90	3	250	S/S	VA2011DC	D004	39	30	D006	D010	D014	110	100
170	4	125	BRZ	VA2013CA	D005	19	12	D007	D011	D015	59	50
170	4	125	S/S	VA2013CC	D005	19	12	D007	D011	D015	59	50
170	4	250	BRZ	VA2013DA	D005	19	12	D007	D011	D015	59	50
170	4	250	S/S	VA2013DC	D005	19	12	D007	D011	D015	59	50
280	5	125	BRZ	VA2014CA	D005	11	4	D007	D011	D015	36	30
280	5	125	S/S	VA2014CC	D005	11	4	D007	D011	D015	36	30
280	5	250	BRZ	VA2014DA	D005	11	4	D007	D011	D015	36	30
280	5	250	S/S	VA2014DC	D005	11	4	D007	D011	D015	36	30
360	6	125	BRZ	VA2015CA	D005	6	0	D007	D011	D015	24	19
360	6	125	S/S	VA2015CC	D005	6	0	D007	D011	D015	24	19
360	6	250	BRZ	VA2015DA	D005	6	0	D007	D011	D015	24	19
360	6	250	S/S	VA2015DC	D005	6	0	D007	D011	D015	24	19

Valve					115 Actuator 20 PSIG Air Supply <b>115</b>						
Cv	Size (IN)	Fling	Trim	Valve Code	3-15 PSIG SPRING RANGE			ALL OTHER RANGES			
					Actuator Code	SHUT OFF PSID		3-9 PSIG Spring Range Actuator Code	w/760 Positioner Actuator Code	SHUT OFF PSID	
						Class III	Class IV			Class III	Class IV
65	2.5	125	S/S	VA2010CD	D018	91	75	D021	D027	175	175
65	2.5	250	S/S	VA2010DD	D018	91	75	D021	D027	231	215
90	3	125	S/S	VA2011CD	D018	61	48	D021	D027	158	145
90	3	250	S/S	VA2011DD	D018	61	48	D021	D027	158	145
170	4	125	S/S	VA2013CD	D019	32	22	D022	D028	87	77
170	4	250	S/S	VA2013DD	D019	32	22	D022	D028	87	77
280	5	125	S/S	VA2014CD	D019	19	11	D022	D028	54	46
280	5	250	S/S	VA2014DD	D019	19	11	D022	D028	54	46
360	6	125	S/S	VA2015CD	D019	12	5	D022	D028	36	30
360	6	250	S/S	VA2015DD	D019	12	5	D022	D028	36	30

**Shut-off values are based on 20 PSIG air pressure to the actuator when the valve is closed.**

**WEIGHTS**

ITEM	WEIGHT (LBS)	
VALVE SIZE	125 FLG	250 FLG
2-1/2"	55	64
3"	72	77
4"	119	131
5"	134	166
6"	175	233
ACTUATOR	LBS	
50	13	
84	48-1/2	
115	84	
POSITIONER	LBS	
42	1	
760P	8	

Actual shipping weights may vary.

**84 ACTUATOR SPECIFICATIONS:**  
 Effective Area: 84 Square Inches  
 Construction: Acrylic Enamel Coated Iron Yoke and Steel Diaphragm Chamber with Buna-N Diaphragm  
 Mounting: Vertical Above Valve

**115 ACTUATOR SPECIFICATIONS:**  
 Effective Area: 115 Square Inches  
 Construction: Acrylic Enamel Coated Aluminum Yoke and Steel Diaphragm Chamber with Buna-N Diaphragm  
 Mounting: Vertical Above Valve