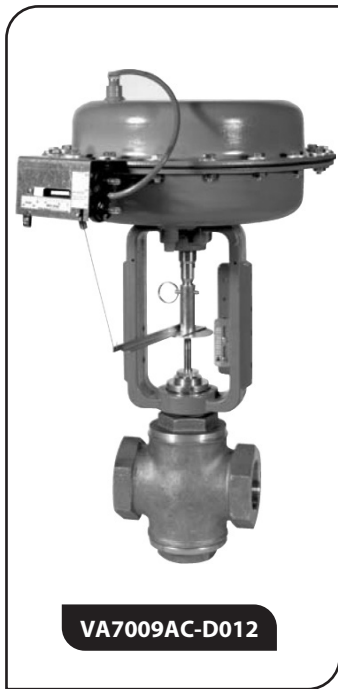
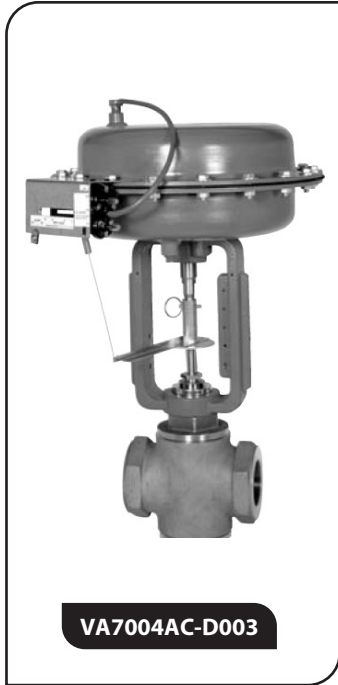


# PNEUMATICALLY ACTUATED

## SINGLE SEATED BRONZE (NORMALLY CLOSED) 1/2"-2"



### ► APPLICATION:

Control of Saturated Steam; Water; Water and Glycol Solutions to 60%. Seat Leakage ANSI Class IV

### ► VALVE CONSTRUCTION:

Body: ANSI B16.15 Bronze 250lb. Threaded (NPT)  
 Trim: EQ%, 300 Series Stainless Steel  
 Stem: 316 Stainless Steel  
 Bonnet: Brass / Bronze  
 Packing: EPDM Lip Packing (+20 to 350°F) Standard  
 (EPDM is **not** suitable for use with oils, hydrocarbons, or acids.)  
 PTFE V-Ring, (+60 to 350°F) Optional, must be specified on order  
 Agency Approvals: CRN # CSA - OC18997 (Bronze Body Only)

### ► TRIM LIMITS (Flowing Differential Pressure):

S/S Trim: Liquids or Steam 100 PSID

### ► CONTROL ACTION:

Increasing Signal Opens Valve; Operating Range may differ from Signal Range,  
 Use a Positioner to Match Ranges

### ► POSITIONER SPECIFICATIONS:

#### 42 POSITIONER SPECIFICATIONS:

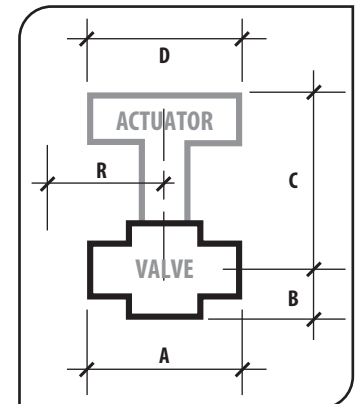
Control Signal: 3-15 PSIG (Factory Setting)  
 Adjustable/Non-Reversible  
 Air Supply/Consumption: 20 PSIG/Approx 0.012 SCFM

#### 760P POSITIONER SPECIFICATIONS:

Control Signal: 3-15 PSIG (Factory Setting)  
 Adjustable/Reversible  
 Air Supply/Consumption: 20 PSIG/Approx 0.020 SCFM

### ► Dimensions (IN):

Component		Dimension by Valve Size (IN)		
Variable		1/2 & 3/4, 1	1-1/4 & 1-1/2	2
A	250THD	4-7/8	5-3/4	6-1/2
B	250THD	2-3/4	3-1/4	3-5/8
C	50 Actuator	15-1/2	16-1/8	16-3/8
C	84 Actuator	18-7/8	19-1/2	19-3/4
D	50 Actuator	10-1/2	10-1/2	10-1/2
D	84 Actuator	13-7/8	13-7/8	13-7/8
R*	50 w/42	7-1/2	7-1/2	7-1/2
R*	84 w/42	9	9	9
R*	84 w/760P	8-1/8	8-1/8	8-1/8



Allow 4-1/8 inch clearance above actuator for removal / service.

\*Center line of Actuator to outside point of Positioner.

#### NOTES:

- 1) Inlet Pressure cannot exceed Body Pressure-Temperature Rating.
- 2) Shut-off pressures listed are with respect to stated ANSI Leakage Classes.
- 3) Flowing PSID for water service should be no greater than 2/3 of Inlet Pressure unless verified for absence of cavitation with Warren Valve Sizing Program.

**SINGLE SEATED BRONZE (NORMALLY CLOSED) 1/2"-2"**

▶ **ACTUATOR & VALVE CONFIGURATIONS:** Select Valve & Actuator Code in Tables:

Valve					50 Actuator 20 PSIG Air Supply <b>50</b>		
Cv	Size (IN)	Thrd NPT	Trim	Valve Code	ALL RANGES		SHUT OFF PSID
					8-13 PSIG Spring Range Actuator Code	w/42 Positioner Actuator Code	Class IV
4.9	0.5	250	S/S	VA7004AC	D001	D003	100
7.2	0.75	250	S/S	VA7005AC	D001	D003	100
10	1	250	S/S	VA7006AC	D001	D003	100
22.2	1.25	250	S/S	VA7007AC	D001	D003	100
24	1.5	250	S/S	VA7008AC	D001	D003	100
40	2	250	S/S	VA7009AC	D001	D003	61

Shut-off values are based on 0 PSIG air pressure to the actuator when the valve is closed.

**50 ACTUATOR SPECIFICATIONS:**

- Effective Area: 50 Square Inches
- Construction: Aluminum Yoke and Diaphragm Chamber with Neoprene Diaphragm.
- Mounting: Vertical Above Valve

Valve					84 Actuator 20 PSIG Air Supply <b>84</b>						
Cv	Size (IN)	Thrd NPT	Trim	Valve Code	9-15 PSIG SPRING RANGE		3-15 PSIG SPRING RANGE		ALL OTHER RANGES		
					Actuator Code	SHUT OFF PSID Class IV	Actuator Code	SHUT OFF PSID Class IV	w/42 Positioner Actuator Code	w/760 Positioner Actuator Code	SHUT OFF PSID Class IV
4.9	0.5	250	S/S	VA7004AC	D008	400	D004	244	D012	D016	400
7.2	0.75	250	S/S	VA7005AC	D008	400	D004	244	D012	D016	400
10	1	250	S/S	VA7006AC	D008	400	D004	132	D012	D016	400
22.2	1.25	250	S/S	VA7007AC	D008	272	D004	44	D035	D036	386
24	1.5	250	S/S	VA7008AC	D008	272	D004	44	D035	D036	386
40	2	250	S/S	VA7009AC	D008	161	D004	19	D035	D036	232

Shut-off values are based on 0 PSIG air pressure to the actuator when the valve is closed.

**84 ACTUATOR SPECIFICATIONS:**

- Effective Area: 84 Square Inches
- Construction: Acrylic Enamel Coated Iron Yoke and Steel Diaphragm Chamber with Buna-N Diaphragm.
- Mounting: Vertical Above Valve

**ACTUATED ASSEMBLY BODY PRESSURE TEMPERATURE RATINGS**

TEMP.	250 THD (RATINGS ARE PSIG)
+20 to 150° F	400
350° F	300

**WEIGHTS**

ITEM	WEIGHT
<b>VALVE SIZE</b>	<b>LBS</b>
1/2", 3/4", 1"	8-1/2
1-1/4" & 1-1/2"	14-1/2
2"	18-1/2
<b>ACTUATOR</b>	<b>LBS</b>
50	13
84	48-1/2
<b>POSITIONER</b>	<b>LBS</b>
42	1
760P	8

Actual shipping weights may vary.