

# 42 / 760P Positioners



**42 Positioner on 50 Actuator**



**760P Positioner on 84 Actuator**

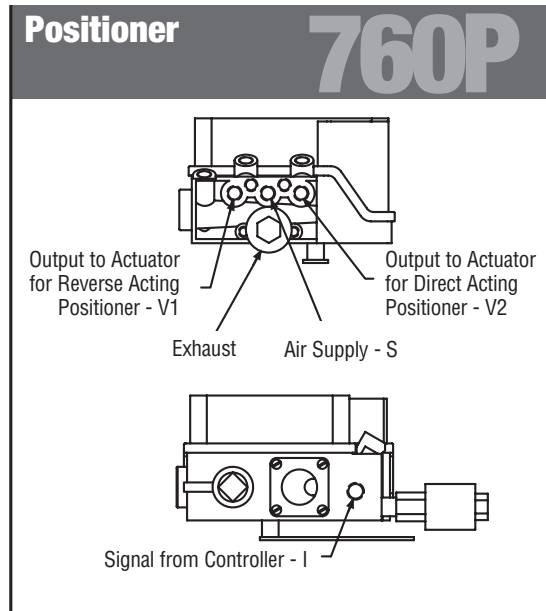
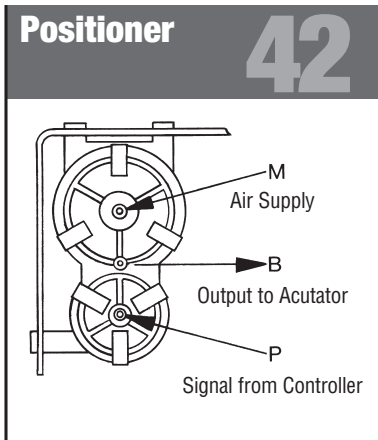
**APPLICATION:**

The **42 and 760P Positioners** are useful to match an actuator's operating range to a controller's signal and to optimize shut-off capability. A positioner is mounted on an actuator and is mechanically linked to a valve's stem. It applies its own separate air supply to position a valve's plug with respect to the signal from a controller. These positioners respond to an air pressure (PSIG) signal. They have adjustable start points and spans and can be set to respond to a number of signal ranges.

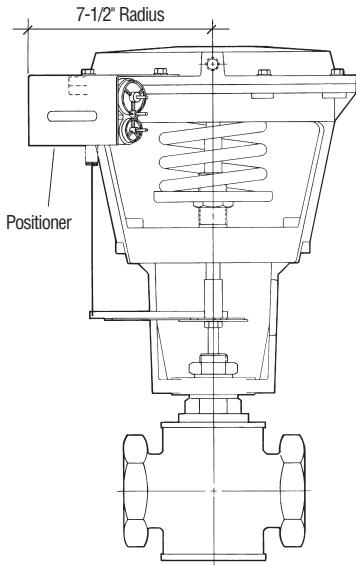
**POSITIONER SPECIFICATIONS:**

- Control Signal: **42:** 3-15 PSIG (Factory Setting) Adjustable/Non-Reversible  
Start Point Adjustable from 1 to 12 PSIG; Span Adjustable from 2 to 13 PSIBG  
**760P:** 3-15 PSIG (Factory Setting)  
Adjustable to 3-9 PSIG and 9-15 PSIG / Reversible
- Air Supply: Use Clean, Oil Free, Dry Air
- Consumption: **42:** 20 PSIG / Approx 0.012 SCFM  
**760P:** 20 PSIG / Approx 0.020 SCFM
- Air Connections: **42:** "M" (Air Supply) Barbed for 1/4" OD Tubing  
"B" (Output to Actuator) Barbed for 1/4" OD Tubing  
"P" (Air Signal from Controller) Dual-contoured for 1/4" OD and 5/32" Tubing  
**760P:** "S" (Air Supply) 1/4" NPT  
"V1" and "V2" (Output to Actuator) 1/4" NPT  
"I" (Air Signal from Controller) 1/4" NPT  
Gauge 1/8" NPT  
Exhaust 1/4" NPT

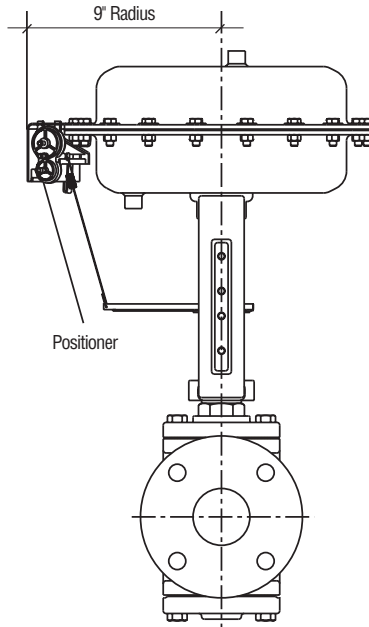
**AIR CONNECTION DIAGRAMS:**



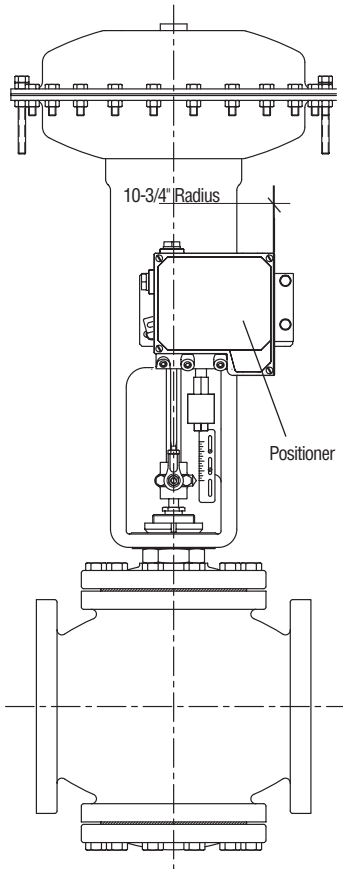
OVERALL DIMENSIONS:



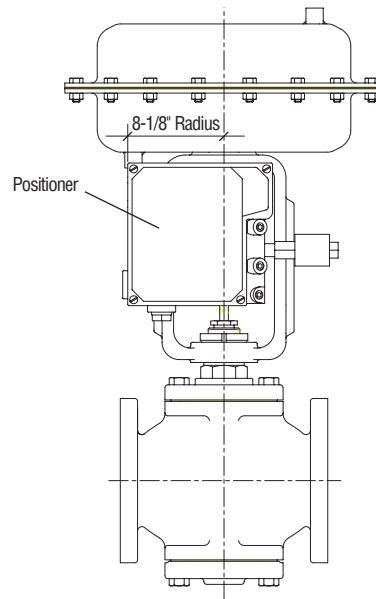
42 Positioner on 50 Actuator



42 Positioner on 84 Actuator



760P Positioner on 115 Actuator



760P Positioner on 84 Actuator

