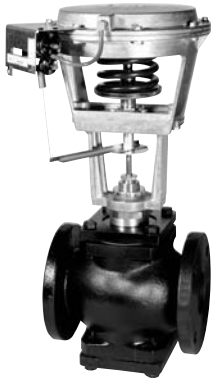


## 50 / 84 / 115 Actuators



**50 Actuator with  
42 Positioner on  
2-1/2 Inch Valve**



**84 Actuator with  
760P Positioner on  
5 Inch Valve**



**115 Actuator with  
760P Positioner on  
10 Inch Valve**

### APPLICATION:

The **50, 84 and 115 Actuators** use air pressure and springs to move the plug in a valve and provide shut-off. They can be ordered with several common spring ranges. Their action is direct which means an increase in air pressure extends the actuator's stem. See "Control Action" below to learn what effect this has for each valve. The 42 Positioner and 760P Positioner are available as accessories. A positioner is useful to match an actuator's operating range to a controller's signal and to optimize its shut-off capabilities.

### ACTUATOR SPECIFICATIONS:

Effective Area:	<b>50:</b> 50 Square Inches <b>84:</b> 84 Square Inches <b>115:</b> 115 Square Inches
Spring Ranges:	(Actual operating range may vary) <b>50:</b> 3-8 PSIG and 8-13 PSIG <b>84 &amp; 115:</b> 3-15 PSIG, 3-9 PSIG, and 9-15 PSIG
Construction:	<b>50:</b> Aluminum Yoke and Diaphragm Chamber with Neoprene Diaphragm <b>84 &amp; 115:</b> Acrylic Enamel Coated Yoke and Steel Diaphragm Chamber with Buna-N Diaphragm
Air Supply:	20 PSIG Required
Air Connections:	<b>50:</b> 1/8 inch NPT <b>84 &amp; 115:</b> 1/4 inch NPT
Temperature Limit:	Ambient: 32°F - 180°F
Mounting:	Vertical Above Valve
Accessories:	<b>50:</b> 42 Positioner <b>84 &amp; 115:</b> 42 Positioner and 760P Positioner

### CONTROL ACTION:

#### Normally Open Single and Double-Seated Valves:

Increasing Signal Closes Valve

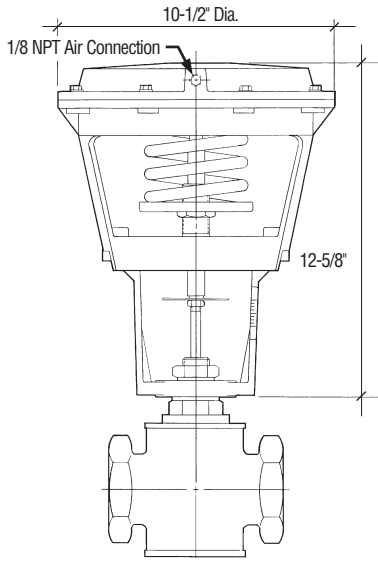
#### Normally Closed Single and Double-Seated Valves:

Increasing Signal Opens Valve

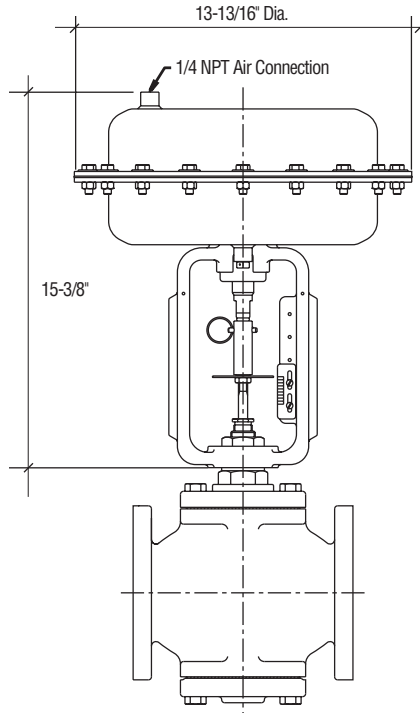
#### 3-Way Mixing and Diverting Valves:

Increasing Signal Closes Lower Port / Opens Upper Port

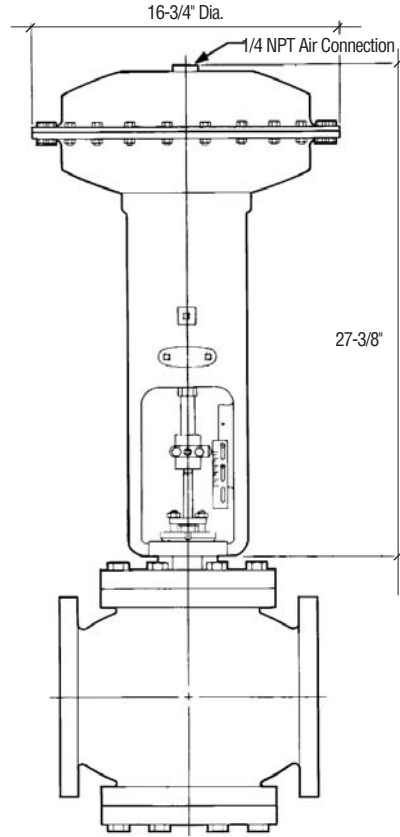
OVERALL DIMENSIONS:



50 Actuator



84 Actuator



115 Actuator

