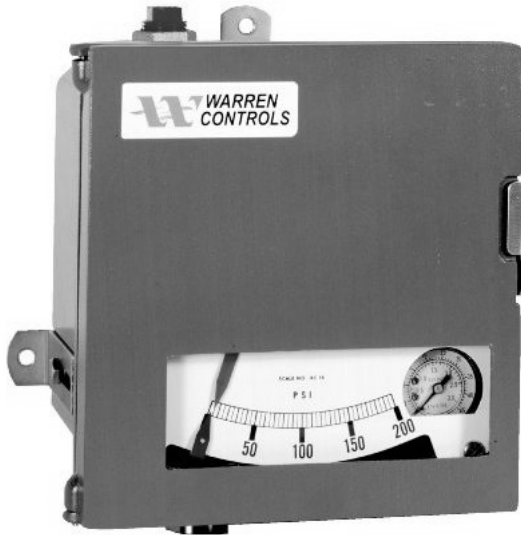


Model 8624 Pneumatic Pressure Controller

Indicating



GENERAL DESCRIPTION

The model 8624 indicating pneumatic pressure controller is designed for performance and durability under rigorous operating conditions.

All working parts are of stainless steel. Diaphragms are made of neoprene, feedback bellows is Ni-Span-C.

FEATURES

- Compact size
- High accuracy sensing element
- Easily adjusted control modes
- Easily changed control action
- High capacity pilot valve
- Low air consumption
- Push button restriction cleaner (optional)
- No plastic tubing

GENERAL SPECIFICATIONS

Cases: Weatherproof, die-cast aluminum case with gasketed die-cast aluminum door with plastic window. Gray epoxy finish standard.

Mounting: Case is interchangeable for wall or flush-panel mounting.

Weight (approximate): 8 pounds (3.63 kg)

OPERATING & PERFORMANCE SPECS

Calibrated accuracy: $\pm 0.5\%$ of span at a gain of 1.

Air supply: 18-20 psig (124.1-137.9 kPa) for 3-15 psig (20.69-103.43 kPa) output range 30-35 psig (206.9-241.3 kPa) for 3-27 psig (20.69-186.17 kPa) output range 31-35 psig (213.75-241.3 kPa)

Air output: 3-15 psig (20.69-103.43 kPa) standard 3-27 psig (20.69-186.17 kPa) and 6-30 psig (41.37-206.9 kPa)

Control mode: Standard gain + integral (reset)

Mode adjustment range:

- Standard gain: 50-.25
- Integral: .01-30 repeats/minute

Standard gain + integral unit: Response curve flat to 300 cpm

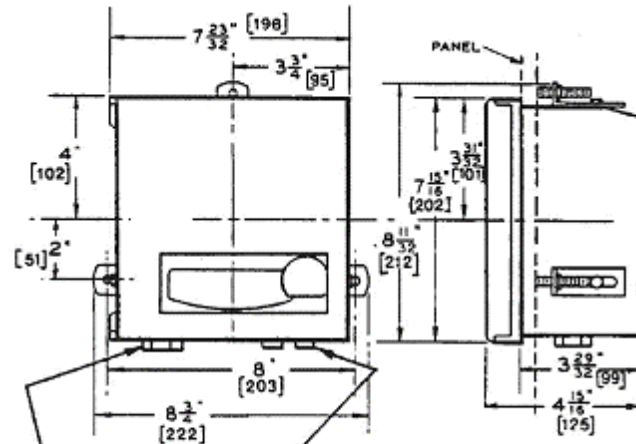
Pilot valve capacity: 3 SCFM (exhaust or delivery) for a 1 psig change in output pressure

Air consumption: Less than 0.05 SCFM at balance with a 20 psig air supply

Temperature stability: Maximum of $\pm 1\%$ change in output pressure span per 100°F (37.8°C) change in ambient temperature

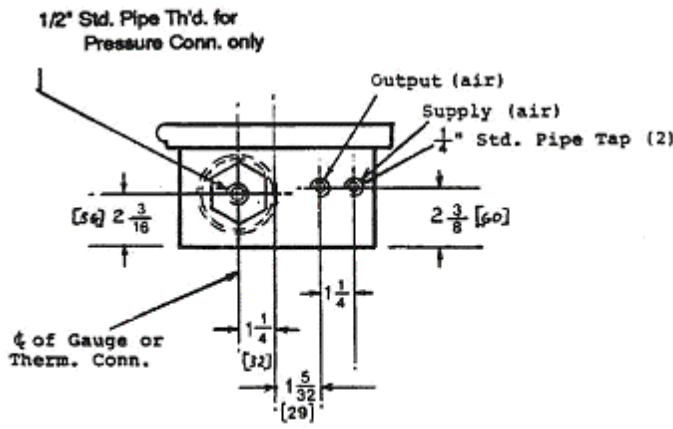
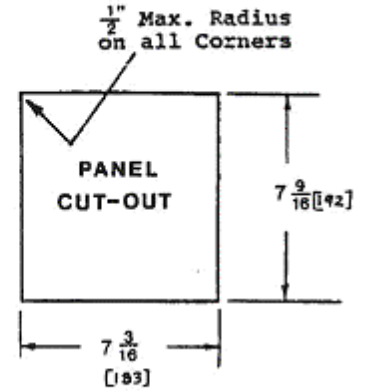
Ambient temperature limits: -40°F (-40°C) to + 180°F (82°C)

OVERALL DIMENSIONS



Process connection
1/2" NPT standard.

Supply and output, 1/4 inch NPT



ORDER CODE

SELECTIONS Please make a selection from each table of OPTIONS below to make a complete model number string.

8624	<input type="checkbox"/>	<input type="checkbox"/>	A	<input type="checkbox"/>	<input type="checkbox"/>	<input type="checkbox"/>	0
OPTIONS	Valve Type	Control Action	Element	Range (PSI)	Accessories		
1	Gain-Integral 3- 15PSI	D Direct R Reverse	A 316 Stainless Steel (Capsule)	050 0-50 100 0-100 200 0-200	0 None		
2	Gain-Integral 3- 27PSI						