

Model 8351 Pneumatic Pressure Controller

Non-Indicating



Model 8351
(External Adjustment)



Model 8351 Type 2
(Internal Adjustment)

GENERAL DESCRIPTION

These air operated pressure controllers provide the simplest and most rugged type of automatic control available to meet the needs of a large number of industrial applications.

These controllers have a fixed throttling range of approximately a 5%. The air relay within this controller is a simple, trouble free ball valve type, which is operated by a lever positioned directly by the expansion or contraction of the sensing element in the system. Capsules are used as the sensing element in these pressure instruments.

SPECIFICATIONS

Model 8351

Capsule: Phosphor bronze.

Case: Cast aluminum.

Mounting: Flush (panel) mounting, back connected.

Control Action: Direct Acting or Reverse Acting.

Control Output: 3-15 PSI

Range: Any standard range listed. Range may be changed in the field by changing capsule.

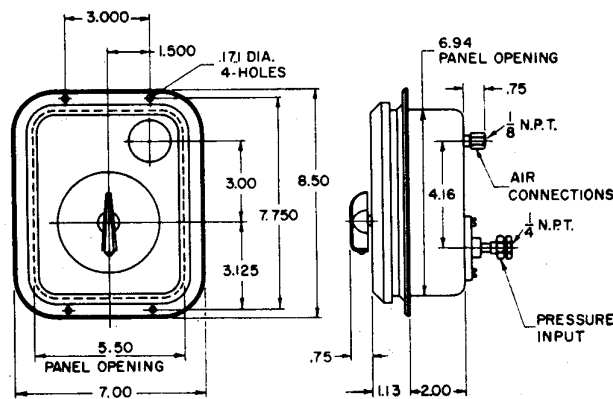
Air Supply: 18 PSI (25 PSI Max)

Model 8351, Type 2 - same as Model 8351, except that it has an internal control point setting.

STANDARD RANGES

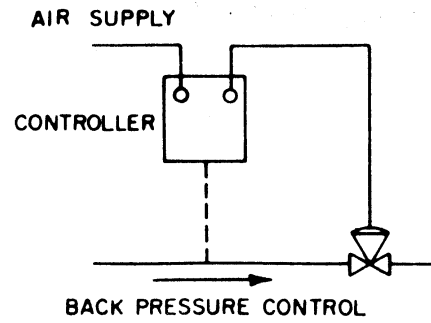
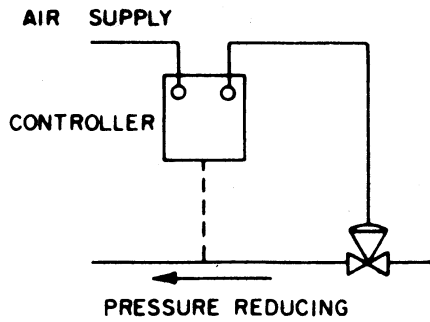
Standard ranges for Model 8351 Non-Indicating Pressure Controller

1/2 to 15 psi	15 to 150 psi
2 to 30 psi	25 to 200 psi
5 to 50 psi	30 to 300 psi
10 to 100 psi	



(All dimensions are approximate)

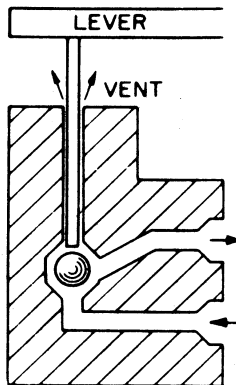
TYPICAL NON-INDICATING PRESSURE CONTROLLER INSTALLATIONS



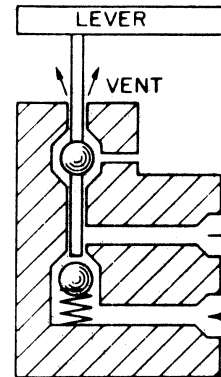
CONTROL ACTION

The type of control action (either direct or reverse acting) is achieved by the type of air valve used in the instrument. Both of these are illustrated below.

The control action of Model 8351 can be changed in the field by simply changing the air valve.



Direct Acting – occurs when an increase in measured variable produces an increase in control air pressure.



Reverse Acting – occurs when an increase in measured variable produces a decrease in control air pressure.

ORDER CODE

SELECTIONS Please make a selection from each table of **OPTIONS** below to make a complete model number string.

8351	<input type="checkbox"/>	<input type="checkbox"/>	A	<input type="checkbox"/>	<input type="checkbox"/>	<input type="checkbox"/>	0
OPTIONS	Valve Type	Control Action	Element	Range (PSI)			Accessories
	0 8351	D Direct	A Phosphor Brz (Capsule)	015	.5-15	0 None	
	2 8351 Type 2	R Reverse		030	2-30		
			050	5-50			
			100	10-100			
			150	15-150			
			200	25-200			
			300	30-300			